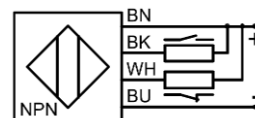
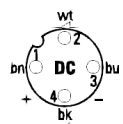
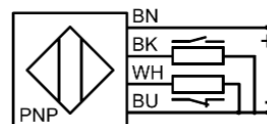
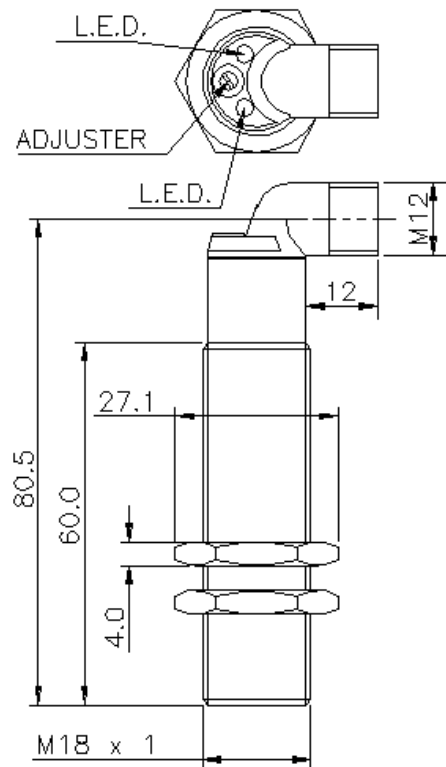


proxistor® Capacitive Sensors DC

- **4WireM18Threaded**
- **M12Connector**
- **N/OorN/C Complimentary**
- **ESDProtected**



Function	Partnumber	
PNP(Complimentary)	CPU-010V-CTN	
NPN(Complimentary)	CNU-010V-CTN	
Mounting	Shielded/Flush	
RatedoperatingdistanceSn	mm	10±10%
Repeatability	%	≤10
FunctionIndication	Yes	
Ambienttemperaturerange	°C	-25to+80
PollutionDegree	3	
Timedelaybeforeavailability	ms	≤300
HousingSize	mm	M18
Housingmaterial	PBT	
Degreeofprotection	IP67	
Connection	M12Connector	
Recommendedconnector	BR1-AD-02-V4	
Currenttype	DC	
Wiring	4-Wire	
Ratedoperationalvoltage	V	8to30DC
Ratedoperationalcurrent	mA	350
Supplyvoltage	V	7to30DC
Impulsevoltage withstand	V	1kV1.2/50µs
Ripple	%	-
Ratedsupplyfrequency	Hz	25Hz
Minimumoperationalcurrent	mA	≤0.1
No-loadsupplycurrent	mA	≤10/10
Off-statecurrent	µA	≤10
Voltagedrop	V	≤2.5
Shortcircuitprotection	Yes(Pulsed)	
Reversepolarityprotection	Yes	



GeneralNote

ABElectronicLimitedreservestherighttomakechangesinproductspecificationwithoutnoticeorliability. AllInformationissubjecttoAB'sowndataandisconsideredaccurateatthetimeofgoingtoprint.

©ABElectronicLimited(ProxistorDivision)ColvernHouse, SpringGardens, Romford, EssexRM79LP, UK Telephone:+44(0)1708762222-Facsimile:+44(0)1708762981-Email:sales@proxistor.com-Website:www.proxistor.com



A subsidiary of TT electronics plc