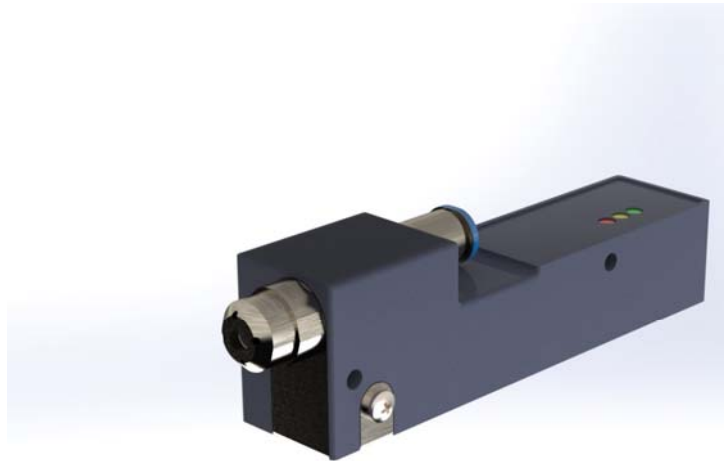


ESD IONISATION

EQ-4700 PRECISION POINT IONISER

The EQ-4700 is designed to neutralise and clean electrostatically charged surfaces and small products using compressed, balanced ionised air.

Precision point static neutralisation using 24 V DC. For use in ESD zones in controlled environments within telecommunications, electronics, printed circuit board, semiconductor and medical device manufacturing industries.



- > Conforms to ANSI ESD STM 3.1.
- > Excellent residual ion balance, +/- 20 V.
- > Precision point ionisation with elevated level of control.
- > Interchangeable nozzles for precision, shower and flexible reach ionization.
- > 3 kV of ionisation power.
- > Emitters made from tungsten for best long-term performance;
- > LED operational status indication on product for ease of use.
- > Remote monitoring of operational status and cleanliness through 24 V signals.
- > Standard M8 4 pin connector.
- > Protected against undervoltage, overload and reverse polarity wiring.

Specification

Electrical Supply:	Input: 24 V DC (21-28 V), max current 0.1 A max. M8 x 4 Pin male connector. M8 x 4 core cable to be ordered separately. 90 -250 V PSU also available.
Air Supply:	0 – 7 Bar. Quick release connector M5 6 mm I.D.
Construction:	Dimensions 122.7 mm x 25.4 mm x 32 mm. 80 g. PVC body, stainless steel base, tungsten emitter.
System Monitoring:	LED on body: green = all OK green/yellow = needs cleaning red = fault Remote monitoring makes this information available with a 24 V signal from the Bar to a PLC or other destination. This voltage is taken from the Bar - no additional power source is required. Compatible with IEC 61131-2 `Type 3` PLC inputs. Signal protected against shorting and mis-wiring.
High Voltage Output:	Up to 3 kV supply integrated into Bar.
Environment:	0 to 55°C, Maximum Humidity 70% non-condensing.
Standards:	CE.

Applications

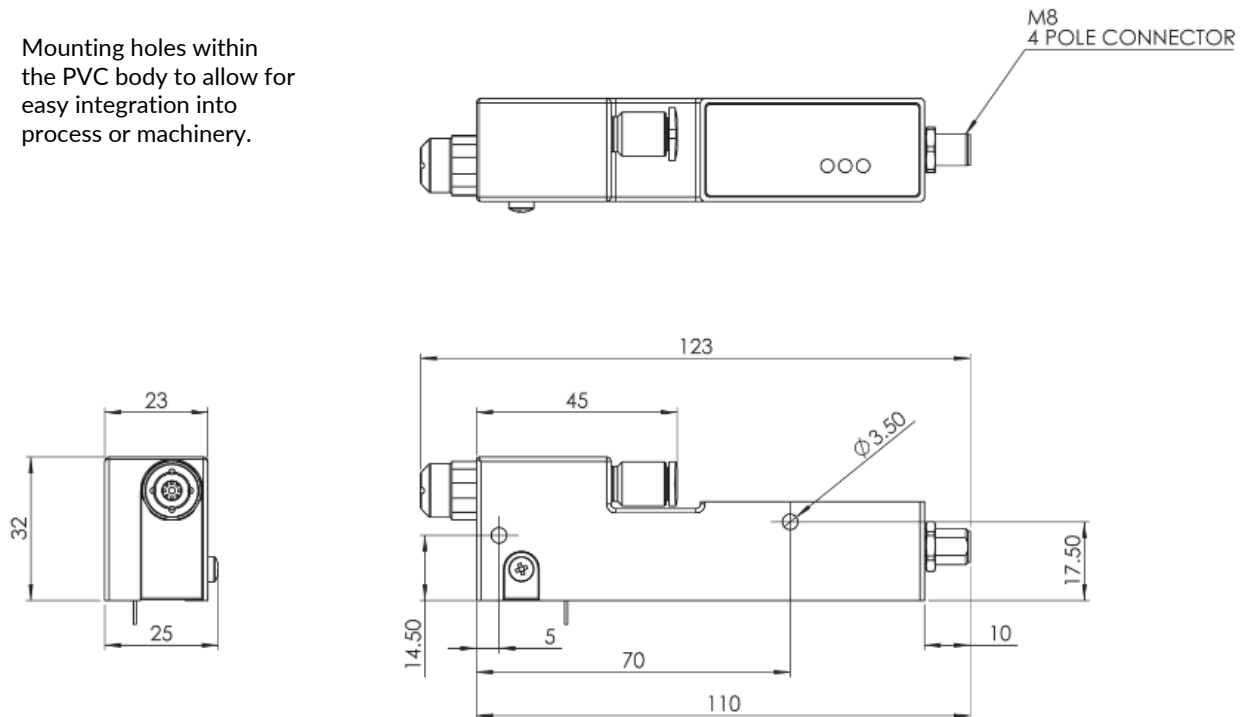
The EQ-4700 Ionizing Air Nozzle has been designed for use in fixed applications on manufacturing lines, equipment, and tool applications in the telecommunications, consumer electronics, semiconductor and medical device manufacturing industries.

No need for an additional power supply. The EQ-4700 comes with electronics and 3 kV High Frequency AC fully integrated.

Optional interchangeable nozzles extend precision spot ionisation from 150 mm to 200 mm, 320 mm or 650 mm.

Dimensions

Mounting holes within the PVC body to allow for easy integration into process or machinery.



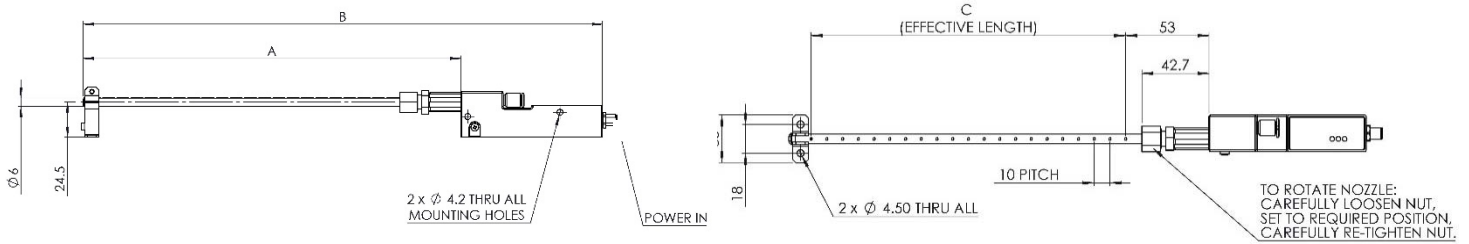
Power Accessories & Spare Parts

Description	Part No.	Description	Part No.
3 m cable with 180° connector	80892	3 m cable with 90° connector	80933
5 m cable with 180° connector	80930	5 m cable with 90° connector	80934
7.5 m cable with 180° connector	80931	7.5 m cable with 90° connector	80935
10 m cable with 180° connector	80932	10 m cable with 90° connector	80936
AC to 24V DC power supply	3024-PSU	Spare Standard Nozzle	470002
Spare Emitter Assembly	47012	Spare Tubular Nozzle Holder	470022

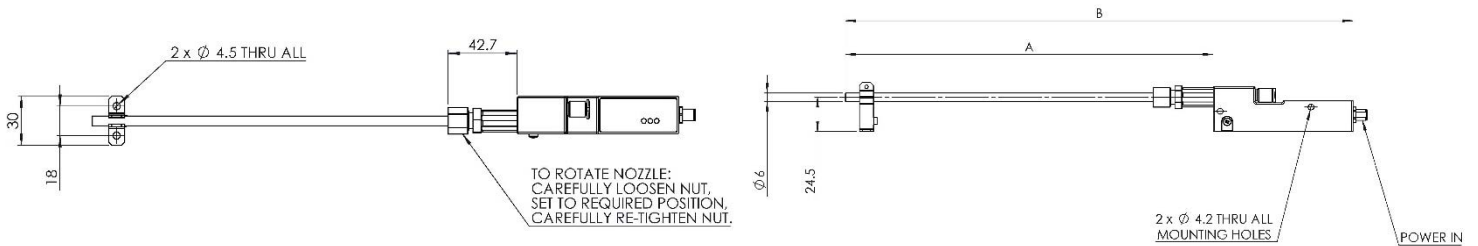
Cables must be ordered separately in addition to the ioniser. They have standard M8 4 pin female connectors.

Nozzles Accessories

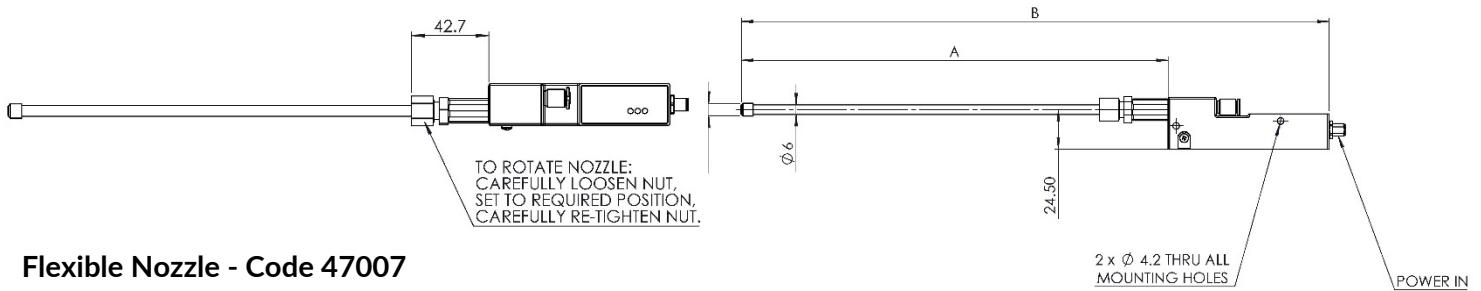
	Code	A	B	C
Shower Nozzle	47001	266	366	200
	47002	385	485	320



	Code	A	B
Fixed Precision Nozzle	47004	263	363
	47005	383	483

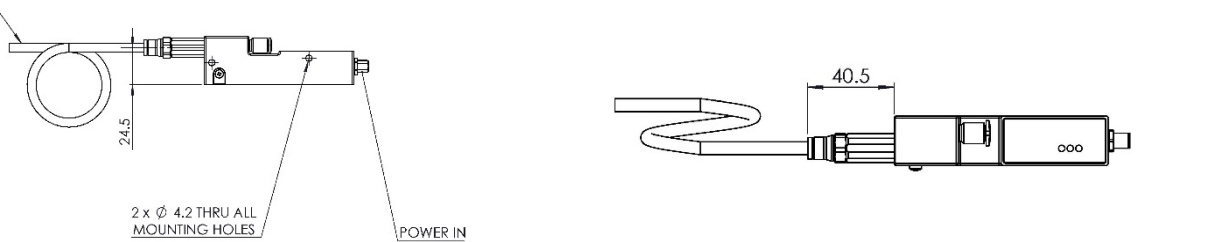


	Code	A	B
Flexible Shape Preserving Nozzle	47008	266	366
	47009	385	485
	47010	716	816



Flexible Nozzle - Code 47007

500mm LONG AS STANDARD
CAN BE CUT TO REQUIRED LENGTH



Flexible Nozzle Extension - Code 470023

